



WMX101

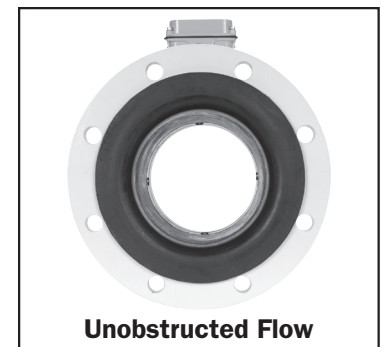
WMX104

APPLICATIONS

- Municipal water/wastewater
- Industrial water/wastewater
- Cooling tower water treatment
- Well usage reporting

FEATURES

- Simple and economical as a mechanical meter
- No moving parts
- Built-in pulse output
- Minimal straight pipe required
- Continuous battery or external power
- Data logger compatible
- Telemetry-ready



GENERAL INFORMATION

The **WMX-Series** are flanged electromagnetic flowmeters for use in 4" to 10" pipe in municipal or industrial water and wastewater applications where propeller meters have typically been used in the past. Because the WMX has no moving parts and has electrodes designed to discourage fouling, this magmeter performs well and requires much less frequent maintenance in applications where debris would impede propeller meters. There is no rotor to stop turning or bearings to wear out. Minimal straight pipe requirements allow WMX-Series meters to be used in piping configurations where there is little space between the meter and an elbow.

In chemical injection applications, the meter should be placed upstream of the injection line or far enough downstream for thorough mixing to occur before the meter.

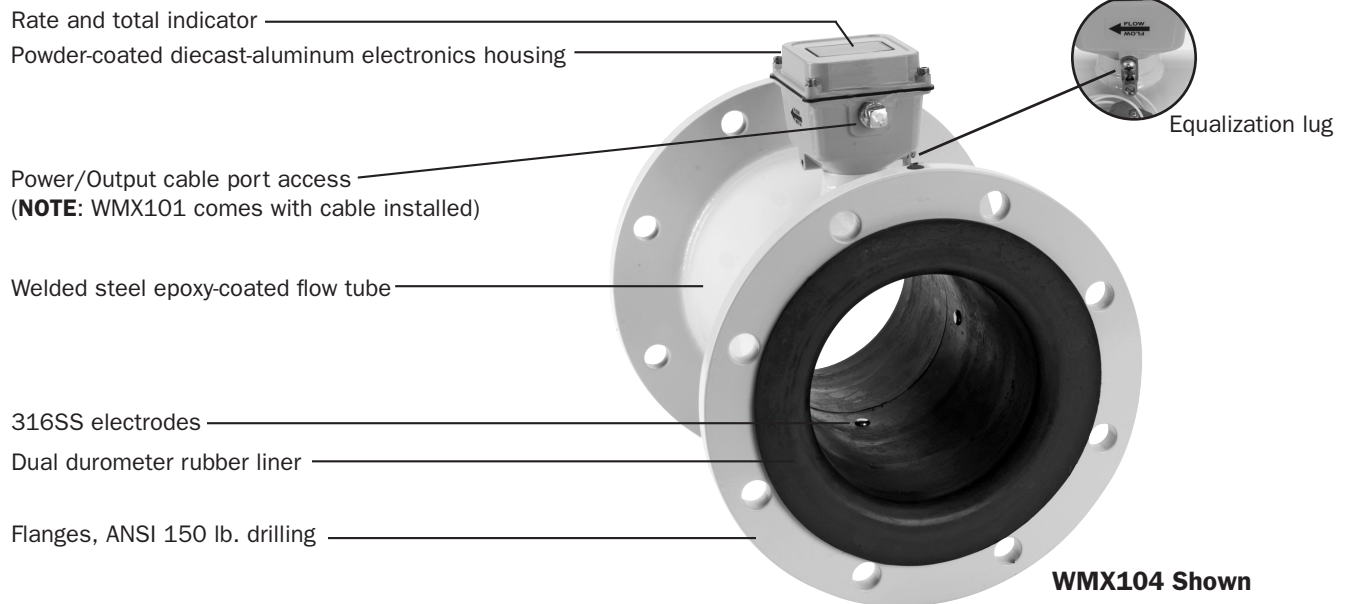
Rate and total indication are standard on both models. Units are customer-selected and factory-set. No set-up is required.

The **WMX101** is externally powered with 7-26 Vdc at 30 mA max (see **NOTE** in Specifications). Two Lithium 3.6V "AA" batteries provide auxiliary power during power failures, allowing the meter to continue recording flow rate and total without interruption for the duration of the outage. Where external power loss is infrequent, battery life should exceed 10 years.

The 20-foot power cable also provides pulse output for use with a variety of SeaMetrics and other displays and controls for remote reading, data logging, pulse-to-analog conversion, and telemetry applications. High frequency pulse rate (required for use with 4-20 mA converters) is standard; additional pulse rates are optional.

The **WMX104** is a battery-operated unit for use when pulse output is not required. The Lithium 3.6V "D" batteries are replaceable with an approximate 1-year life under continuous use, or more depending on the duty cycle. An optional input/output cable can be installed post-factory if needed for changing applications.

FEATURES

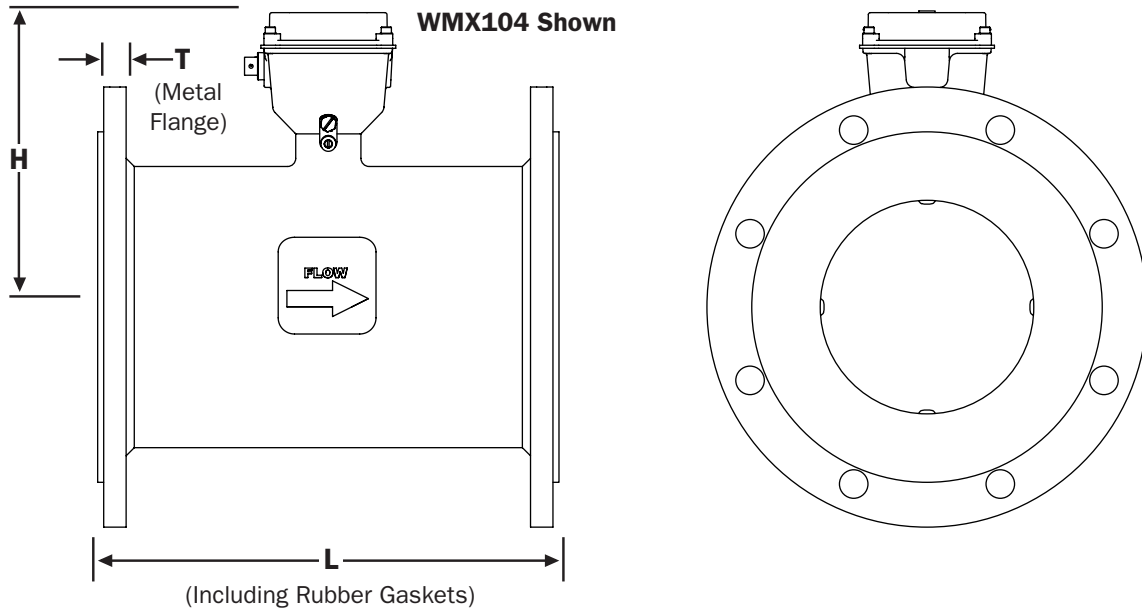


SPECIFICATIONS*

Pipe Sizes	4", 6", 8", 10"				
Flanges	ANSI 150 lb. drilling				
Pressure	150 psi (10.3 bar) working pressure				
Temperature	Operating	10° to 130° F (-12° to 54° C)			
	Non-Operating	-40° to 158° F (-40° to 70° C)			
Accuracy	+/-1% of reading from 10% to 100% of reading				
	+/-2% of reading from cutoff to 10% of reading				
Materials	Body	Welded steel, epoxy-coated			
	Liner	Dual durometer rubber			
	Electronics Housing	Diecast aluminum, powder-coated			
	Electrodes	316 stainless steel			
Display	Digits	Rate	5	Total	8
		Units*	Gallons/Minute	Gallons x 1000	
		Liters/Second	Cubic Meters		
		Cubic Meter/Hour	Megaliters		
		Cubic Feet/Minute	Liter x 1000		
		Million Gallons/Day	Cubic Feet		
		Mega Liter/Day			
Power	WMX101: 7-26 Vdc at 30 mA max, with auxiliary battery for continuous operation during power failures NOTE: Using an unregulated power supply >18 Vdc may damage the meter due to AC line input voltage fluctuation				
	WMX104: 2 Lithium 3.6V "D" batteries, replaceable, 1 year life under continuous use				
Pulse Output	Signal	WMX101: Current sinking pulse, opto-isolated, 30 Vdc at 10 mA max			
		WMX104: Pulse output available only with addition of post-factory output cable			
	Pulse Rates	10 units/pulse; 1000 units/pulse; High Frequency (default)			
	High Frequency (pulse/gal)	4"	6"	8"	10"
	16.362	6.307	3.344	2.150	
Empty Pipe Detection	Hardware/software, conductivity-based				
Environmental	NEMA 4X				

*Specifications subject to change. Please consult our website for the most current data (www.seametrics.com).

DIMENSIONS

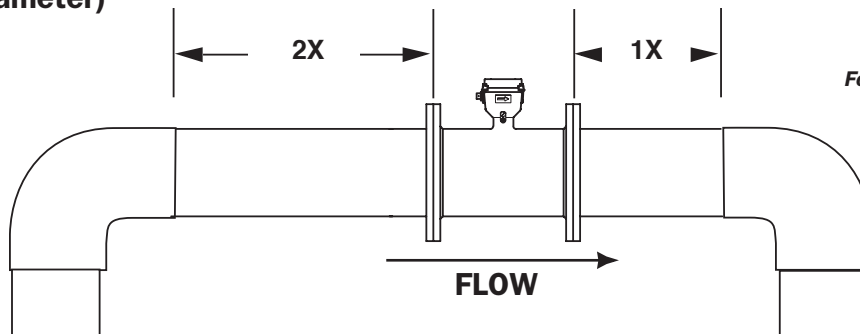


WMX101/104

Meter Size	L		H		T		Shipping Weight		
	inch	mm	inch	mm	inch	mm	pounds	Kg	
4"	10.24	260	7.0	178	.82	20.9	32	14.5	
6"	12.27	312	8.1	206	.92	23.3	47	21.3	
8"	14.24	362	9.1	231	.92	23.3	71	32.2	
10"	18.18	462	10.1	257	.92	23.3	95	43.1	
Flanges	Standard ANSI 150 lb. drilling						Cable (WMX101) 1 lb.		

STRAIGHT PIPE RECOMMENDATIONS

(X = pipe diameter)



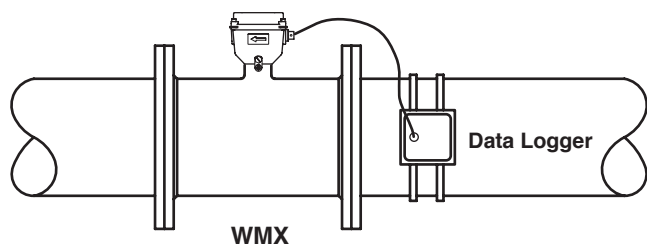
*Minimal straight pipe
required between elbows.
For other piping configurations,
consult factory.*

FLOW RANGE

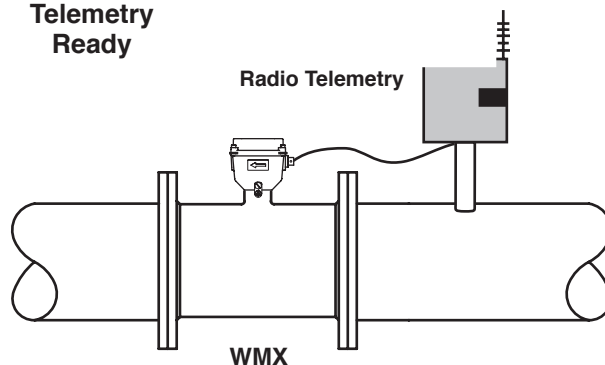
	4"		6"		8"		10"	
	Gal/Min	Liter/Sec	Gal/Min	Liter/Sec	Gal/Min	Liter/Sec	Gal/Min	Liter/Sec
Minimum	12	.75	32	2	60	3.8	95	6
Maximum	500	31.5	1,200	75.7	2,200	138.8	3,500	220.8

OUTPUT CAPABILITIES

Data Logger Compatible



Telemetry Ready



HOW TO ORDER

MODEL	SIZE	OPTIONS	FLOW MEASUREMENT UNITS			
External power = WMX101 Battery power = WMX104	4" = -400 6" = -600 8" = -800 10" = -1000	High Frequency (default) = -HF 10 Units*/Pulse = -PxX 100 Units*/Pulse = -PxH 1000 Units*/Pulse = -PxK	RATE	ORDER	TOTAL	ORDER
			Gal/Min = GPM		Gal = G	= G
			Liter/Min = LPM		Gal x 1000 = GT	= GT
			Liters/Sec = LPS		Liter = L	= L
			Cu Ft/Min = CFM		Liter x 1000 = LT	= LT
			Cu Meter/Hr = CMH		Mega Liters = ML	= ML
			Mil Gal/Day = MGD		Cubic Meters = CM	= CM
			Meg Lit/Day = MLD		Cu Met x 1000 = CMT	= CMT
					Cubic Feet = CF	= CF
					Cu Feet x 1000 = CFT	= CFT
		(*Units = Gal or Liter depending on Rate/Total unit selection)	Consult factory for additional units Any rate selection can be combined with any total selection			
ACCESSORIES						
Remote 4-20 mA (analog) signal = AO55W	Dual Power Supply, 115 Vac, 12/24 Vdc = PC42 (Use with High Frequency pulse rate)	Grounding Rings (not needed for most applications):				
Remote Rate and Total Indicator = FT420W	External Power Supply = Consult Factory	4" = 31090		8" = 31092		
Remote Data Logger = DL76W	Replacement Battery Pack for WMX101 = 32186	6" = 31091		10" = 31093		
Post-Factory 20-ft. Power/Output Cable (WMX104 Only) = DC30	Replacement Battery Pack for WMX104 = 31126					

CONTACT YOUR SUPPLIER