



FEATURES

- No moving parts
- Requires no straight pipe
- Pulse and/or 4-20 mA output
- Chemical and corrosion resistant
- Insensitive to fluid density and fluid viscosity changes

APPLICATIONS

- Chemical injection
- Corrosive materials
- Low flow applications
- Pulsating flows (e.g., metering pump)

GENERAL INFORMATION

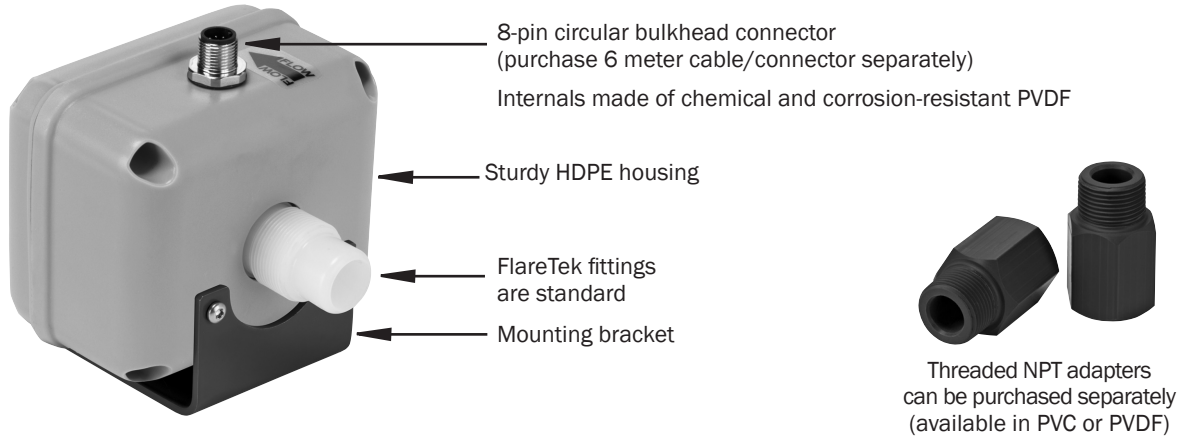
The **PE102 magmeter** is designed for low-flow chemical injection or difficult-to-meter applications with pulsating metering pumps in 3/4" to 1/4" pipe/tube. The housing is made of sturdy splashproof HDPE plastic.

With no moving parts, the PE102 can handle fluids containing particulate matter without clogging or jamming, keeping maintenance at a minimum. With no metallic parts (100% PVDF body and PVDF carbon fiber-filled electrodes), the meter is corrosion-resistant and compatible with a wide range of chemicals. Accuracy is maintained with conductive fluids (>20 microSiemens) of varying viscosities and densities.

The PE meter is compact enough to fit most pump/injection systems. With zero straight pipe required after an elbow, it can be easily mounted in tight spaces. The mounting bracket adds stability.

The PE meter has optocoupled current sinking or current sourcing pulse output that can be connected to the Seametrics FT420 rate/total display or FT520 batch processor, as well as a 4-20 mA loop for powering analog devices. Outputs and power are provided through a cable with 8-pin female circular connector. Order the required cable/connector separately from Seametrics (see How to Order, back page) or from another vendor (one possibility is www.turck-usa.com, part #RKC 8T-6/S618).

FEATURES



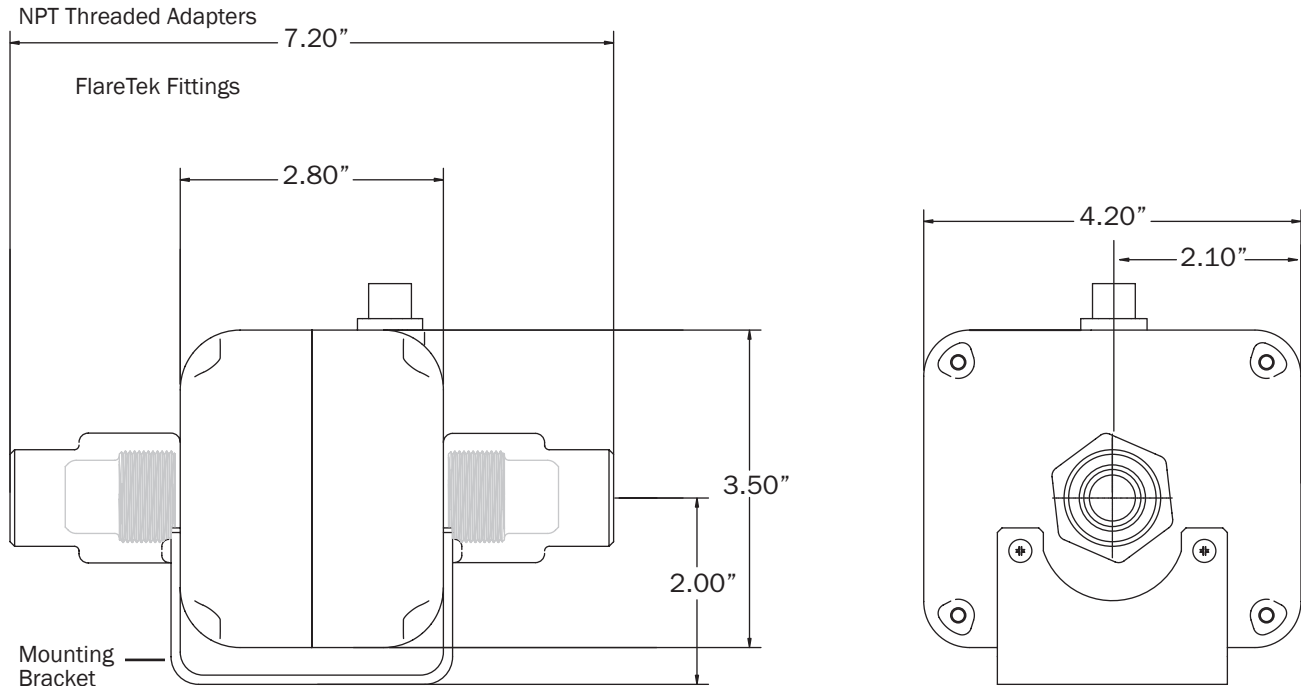
SPECIFICATIONS*

Pipe Size		3/4", 1/2", 3/8", 1/4"***
Fittings		FlareTek fittings standard in 3/4" or 3/8" flowbody; NPT threaded adapters also available
Materials	Body	PVDF
	Electrodes	PVDF carbon fiber-filled
	Ground	PVDF carbon fiber-filled
	Housing	HDPE with glass fiber
	Fittings (FlareTek)	PVDF
	Adapters (NPT)	PVC or PVDF
	O-Rings (for NPT)	EPDM or Viton
Temperature	Ambient	0° to 130° F (-18° to 54° C)
	Fluid	32° to 200° F (0° to 93° C)
Pressure		150 psi
Flow Range	-075	20 GPM Max. (0.2 GPM cut off)
	-038	3 GPM Max. (0.03 GPM cut off)
Accuracy	-075	+/- 1%, +/- 0.005 GPM of reading across rated range
	-038	+/- 1%, +/- 0.002 GPM of reading across rated range
Output Signal		Optocoupled current sinking or current sourcing pulse output: 30 Vdc, 5 mA max 4-20 mA current loop: 7 Vdc plus load voltage drop min; 50 Vdc max
	-075	PE102-075: 500 pulses/liter (1892 pulses/gallon),
	-038	PE102-038: 1,000 pulses/liter (3785 pulses/gallon).
Power		10-15 Vdc, 150 mA (linear power supply recommended)
Conductivity		>20 microSiemens
Empty Pipe Detection		Hardware/software, conductivity-based
Environmental		NEMA 4X standard; IP 66 Splashproof standard

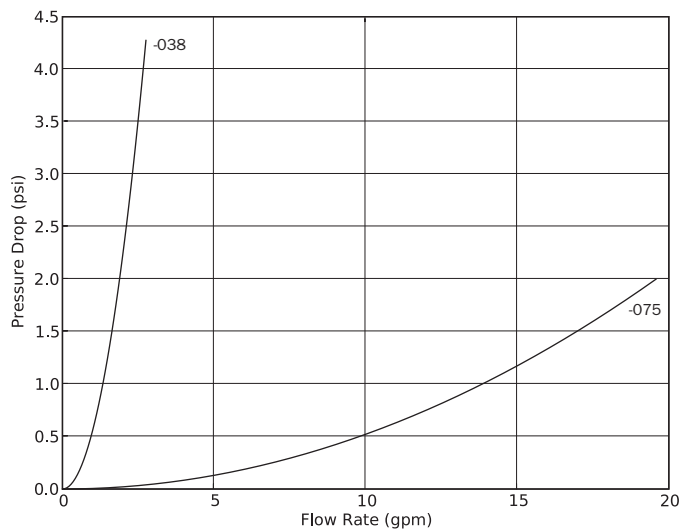
*Specifications subject to change • Please consult our website for current data (www.seametrics.com).

**Requires adaptors

DIMENSIONS



PRESSURE DROP CURVE



PE102-075 with 3/4" adapters.
 PE102-038 with 3/8" adapters.
 Actual curve dependant on pipe size/fittings

HOW TO ORDER

MODEL	SIZE	CABLE	FITTINGS
PE102	3/4" = -075 3/8" = -038	Order cable separately from Accessories below or use an outside vendor.	Meter comes standard with FlareTek fittings. NPT Adapters can be added. See below to choose Accessories required with your fitting choice.
PE102			

ACCESSORIES		
Rate and Total Indicator = FT420	Required with FlareTek fittings:	
Batch Flow Processor = FT520	-075: 3/4" FlareTek tubing nut (2 req) = 32128 Flare tool, 3/4" fitting = 32129	
6 meter cable with 8-pin female circular connector = 32363	-038: 3/8" FlareTek tubing nut (2 req) = 32749 Flare tool, 3/8" fitting = 32750	
	Required with NPT adapters (must choose adapter PLUS O-ring material):	
	-075: 3/4" MNPT adapter, PVC (2 req) = 32050 3/4" MNPT adapter, PVDF (2 req) = 32064 1/2" MNPT adapter, PVC (2 req) = 32315 1/2" MNPT adapter, PVDF (2 req) = 32314 O-ring, EPDM (2 required) = 31462 O-ring, Viton (2 required) = 32135	
	-038: 3/8" MNPT adapter, PVC (2 req) = 32728 3/8" MNPT adapter, PVDF (2 req) = 32729 1/4" MNPT adapter, PVC (2 req) = 32746 1/4" MNPT adapter, PVDF (2 req) = 32747 O-ring, EPDM (2 required) = 32741 O-ring, Viton (2 required) = 32742	

CONTACT YOUR SUPPLIER